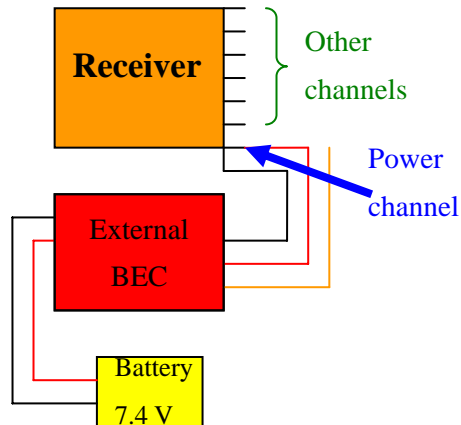


923502 External BEC instruction manual



Specifications :

- *. Input voltage : DC 7.4 V, 2-cell, Lithium-polymer battery.
- *. Output voltage : DC 5.8 V.
- *. Output current : continuous 3.0 A (instant surge current 5.0 A maximum).
- *. Weight : 15 g, Size : 58.0 X 25.0 X 6.0 mm.
- *. Built-in safety power switch.
- *. Battery voltage auto-detecting functions.

Instructions :

1. Connect the output terminals (JR type connector) to the power channel of the Receiver, and please pay attention at +/- directions.
2. Connect the input terminals (JST connector) to the battery (recommended 2-cell, 7.4 V, Lithium-polymer batteries), and please pay attention at +/- directions.
3. **If your servos can not suit to 6V voltages, please add on a step-down voltage regulator (optional parts) before your servo lead connectors.**
4. Turn the switch on at the left-down corner of this external-BEC, then it's setting finish for using.
5. **Remember that, for safety issues, please turn your transmitter on firstly, then turn this external-BEC on, and then turn the ESC power on lastly.**
6. Auto-detecting battery voltage functions : This external-BEC built-in 4 LEDs at the bottom side. When total 4 LEDs lightening, indicate the battery was fully charged, while the battery voltage draining, the lightened LED will reduce, until only one red LED lightened, please stop flying and recharging your battery.
7. **If you using the ESC with the BEC functions, please remember to remove the ESC's voltage output line (red color line, the middle line at the signal connector).**

~ The end ~

Hope you have a good flying !!!

